

TVT

Secure The World With You

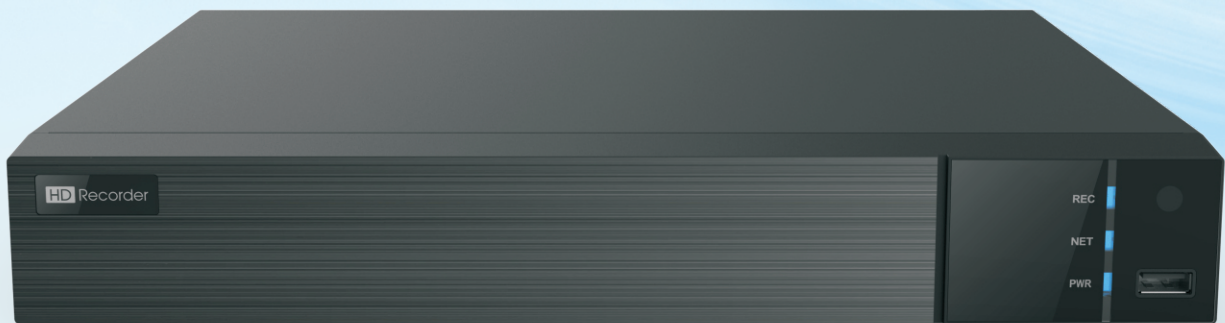
HD CCTV
Over Coax



4K DISPLAY

4K Lite RECORD

4K Lite PLAYBACK



TD-2700TS-HP

TVT

TVT DIGITAL TECHNOLOGY CO., LTD.

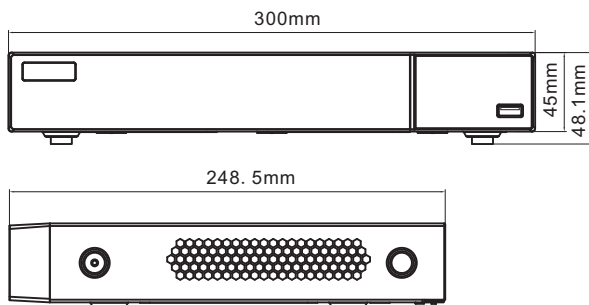
Address: 23rd Floor, Block B4, Building NO.9, Shenzhen Bay
Eco-Technology Park, Nanshan District, Shenzhen, Guangdong
Province, P.R.China
Tel: +86-755-36995888
Fax: +86-755-33104777
Web site: <http://en.tvt.net.cn>
E-mail: overseas@tvtnet.cn



Introduction

TD-2700TS-HP series are 4 / 8 CH 8MP / 5MP / 4MP / 3MP / 1080P / 720P / WD1 high definition DVRs with ability to connect analog and IP cameras simultaneously, which adopt the standard H.265 high profile compression format and the most advanced SOC technique to ensure real time recording in each channel and realize outstanding robustness of the system. TD-2700TS-HP series support 4 / 8 CH video input, 4 / 4 CH audio input, and simultaneous 4 / 8 CH playback. The series of product can meet different security requirements of home, financial, commerce, enterprise, transportation and government, etc.

Dimensions

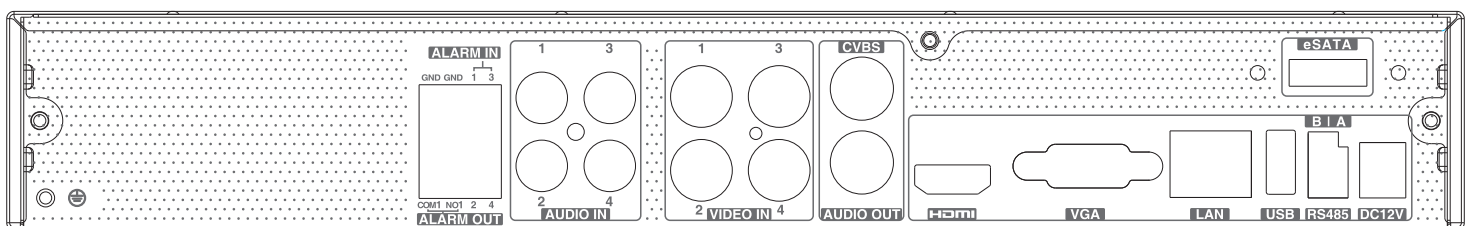


Characteristics

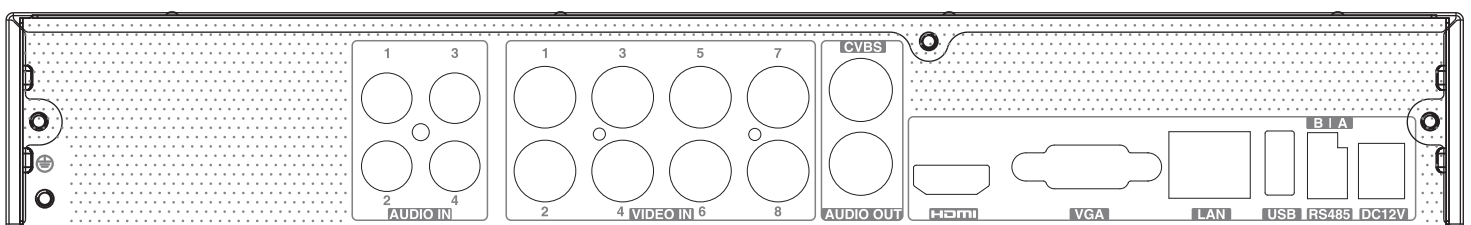
- 4 / 8 CH TVI / AHD / CVI 8MP / 5MP / 4MP / 3MP / 1080P / 720P / WD1 video input
- Support 2 / 8 CH 8MP / 5MP / 4MP / 3MP / 1080P / 960P / 720P IP video input by default
- Adopt standard H.265 high profile compression format to get high-quality video at much lower bit rate
- Intuitive and user-friendly Graphics User Interface (GUI), window style operation by mouse
- Multi-mode recording: manual / timer / motion
- Playback : 4 / 8 CH simultaneously playback
- Search: time slice, time, event, tag and smart search
- Express and flexible backup via USB, network and so on
- Pentaplex: preview, record, playback, backup and remote access
- DHCP, DDNS, PPPoE network protocol,
- Remote control via Web Client or CMS : preview, playback, backup, PTZ and configuration
- Dual stream technology for local storage with high definition, remote network transmission and remote surveillance with mobile device
- Multi-user online simultaneously
Authorization management, log review and device status review
- HDMI 4K output, true high resolution display
- Support PTZ preset and auto cruise, up to 255 presets and 8 cruises
- Support NAT function and QRCode scanning by mobile phones
- Powerful mobile surveillance by smart phones with iOS and Android OS

Rear Panels

TD-2704TS-HP



TD-2708TS-HP



Specification

Model		TD-2704TS-HP	TD-2708TS-HP
System	OS	Embedded Linux	
Video	Analog Video Input	BNC × 4	BNC × 8
		BNC interface (1.0Vp-p; 75Ω)	
		TVI/AHD/CVI : 4K@15fps, 5MP@20fps, 4MP/3MP/1080P/720P/WD1@30fps (live)	
	IP Video Input	2CH (up to 6CH)	8CH (up to 16CH)
		Up to 8MP@30fps	
	Total Input	6CH	16CH
Output	HDMI × 1 : 3840 × 2160 / 1920 × 1080 / 1280 × 1024 / 1024 × 768 VGA × 1 : 1920 × 1080 / 1280 × 1024 / 1024 × 768 BNC × 1 : CVBS (used as the main or spot output)		
Compression	H.264/H.265		
Audio	Input	RCA × 4	
	Output	RCA × 1 (linear, 600Ω)	
	Two-way audio	Take up channel one audio input	
	Compression	G.711(U/A)	
Record	Resolution	4K/4K Lite/5MP/5MP Lite/4MP/4MP Lite / 3MP/1080P/720P/WD1/D1	
	Frame Rate	Analog Channel: 4K@6fps /7fps (PAL/NTSC) (4CH DVR: only CH1 supports; 8CH DVR: all channels support) 4K Lite@12fps/15fps (PAL/NTSC) 5MP@12fps (PAL / NTSC) 5MP Lite@20fps (PAL / NTSC) 4MP/3MP@12fps / 15fps (PAL / NTSC) 4MP Lite/1080P/720P/WD1/D1@25fps/30fps (PAL / NTSC) IP Channel: 25fps / 30fps (PAL / NTSC)	
	Bit Rate	32Kbps ~ 4Mbps	32Kbps ~ 5Mbps
	Mode	Manual, timer, motion, smart event	
	Playback	4CH	
Playback	Search	Time slice / time / event / tag search	
	Smart Search	Highlight colors to display the camera record in a certain period of time, different colors refer to different record events	
	Function	Play, pause, FF, FB, digital zoom, etc.	
	Mode	Manual, motion, exception, smart event	
Alarm	Input	4CH	No
	Output	1CH	No
	Interface	RJ 45 100Mbps × 1	RJ 45 1000Mbps × 1
Network	Protocol	TCP/IP, PPPoE, DHCP, DNS, DDNS, UPnP, HTTP, HTTPS, NTP, SMTP	
	Incoming Bandwidth	16Mbps (Max.40Mbps)	32Mbps(Max. 64Mbps)
	Outgoing Bandwidth	40Mbps	96Mbps
MobileDevice	OS	iOS, Andriod	
Storage	HDD	SATA× 1, up to 8TB per HDD; E-SATA× 1	SATA× 1, up to 8TB per HDD
Backup	Local Backup	U disk, USB mobile HDD	
	Network Backup	Yes	
Port	RS 485	Yes (half-duplex), connect to PTZ or keyboard	
	USB	USB 2.0 × 2	
	Remote Controller	Optional	
Others	Power Supply	DC12V / 2A	DC12V / 4A
	Consumption	≤ 10W (without HDD)	≤ 15W (without HDD)
	Dimensions(mm)	300 × 249 × 45 (W × D × H)	
	Working Environment	-10~50°C, 10%~90% (humidity)	